



SEA WATER 1T-5T FLAKE ICE MAKER WATER-COOLED SELF-CONTAINED

- Industrial strength flake ice makers complete with integrated condensing units
- Sub zero flake ice ideal for use by fishing boats and seafood processors
- Standard units have 304 grade stainless steel drum
316 grade stainless steel drum also available
- Push-button control panel or optional touch screen control supplied loose
- Can be supplied with or without storage bin

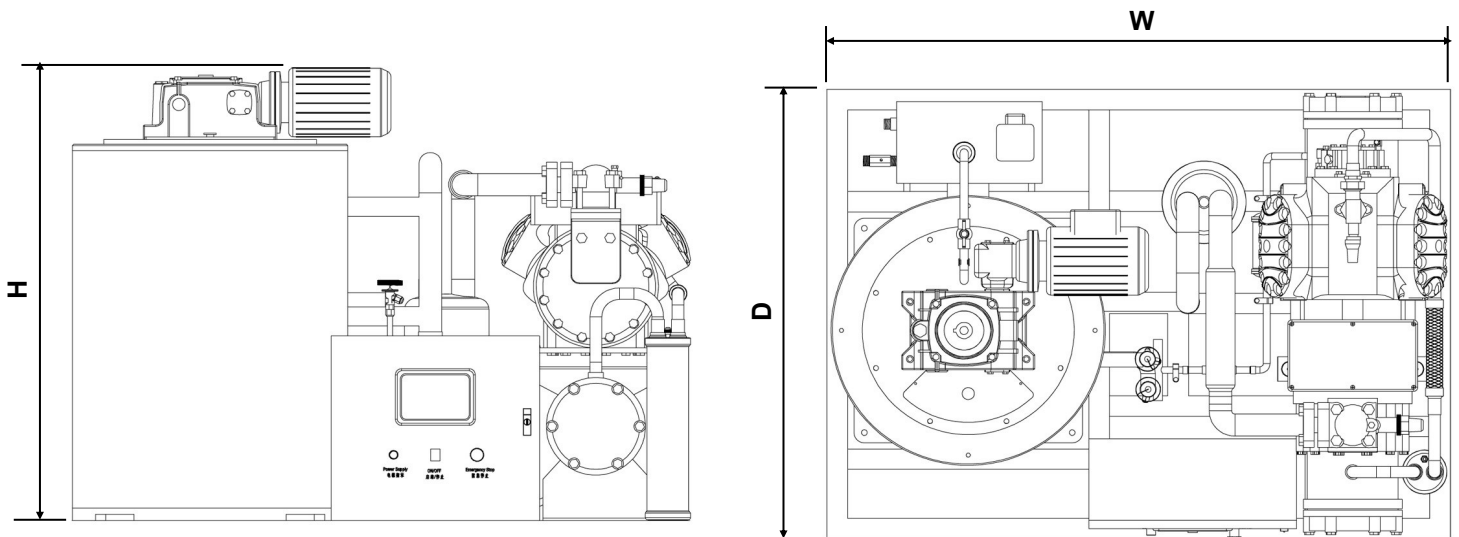




SEA WATER 1T-5T FLAKE ICE MAKER WATER-COOLED SELF-CONTAINED

Specifications

<u>MODEL</u>	<u>IFS1T-R4W</u>	<u>IFS2T-R4W</u>	<u>IFS3T-R4W</u>	<u>IFS5T-R4W</u>
Daily Output (kg/24 hrs.)	1000	2000	3000	5000
Refrigeration capacity (kw)	7.4	13.7	18.0	32.5
Voltage - All models	415V/50Hz			
Power consumption (kw)	5.68	9.2	12.1	20.4
Water connection - All models	1/2" BSP			
Unit weight (kg)	450	530	645	920
Dimensions (mm) W x D x H	1400x1000x980	1500x1200x1420	1500x1200x1500	1800x1500x1680



Production capacities based on 25°C condenser water and 16°C sea water temperature
 Evaporator temperature -28°C Condensing temperature 36°C
 Ice thickness 1.5 - 2.2mm

Continuing product improvement may necessitate changes of specifications without notice

For more information or the name of your local sales agent contact:

Stuart Icemakers

1 Jayelem Crescent Padstow NSW 2211

Sales 1300 301 380 ~ **General Enquiries** 02 9773 3711

Fax 02 9773 4400 ~ **Email** sales@icemachines.com.au

Website www.icemachines.com.au