



## SEA WATER 1T-5T FLAKE ICE MAKER EVAPORATORS

- Industrial strength flake ice makers designed for installation with rack systems or existing condensing units
- Sub zero flake ice ideal for use by fishing boats, seafood processors, wholesalers and retailers
- Standard units have 304 grade stainless steel drum  
316 grade stainless steel drum also available
- Push-button control panel or optional touch screen control supplied loose
- Can be supplied with or without storage bin

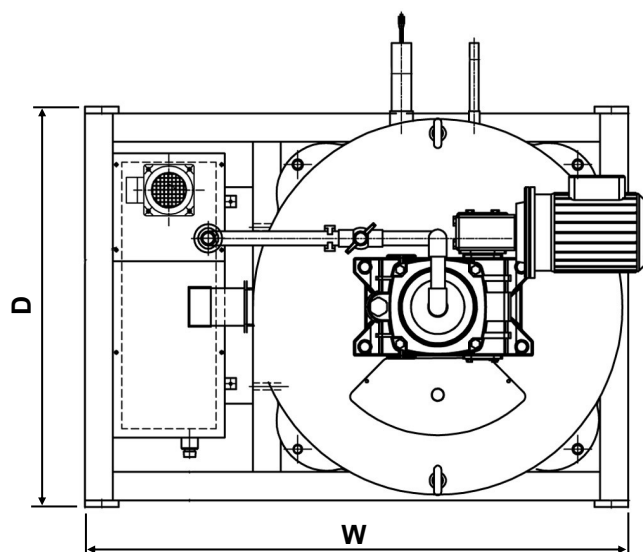
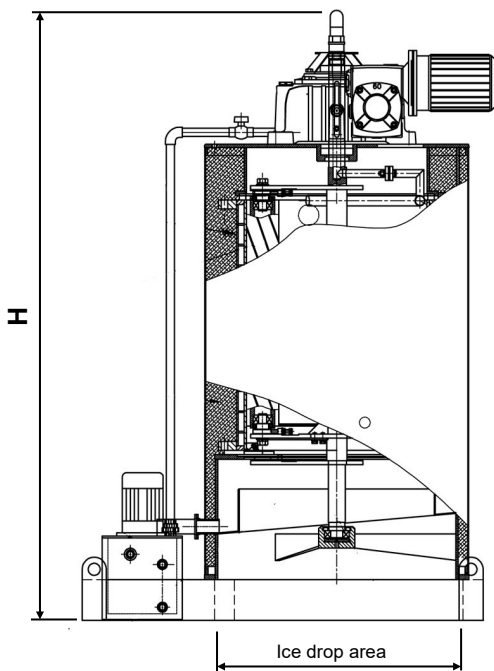




# SEA WATER 1T-5T FLAKE ICE MAKER EVAPORATORS

## Specifications

<u>MODEL</u>	<u>IFSE-1T</u>	<u>IFSE-2T</u>	<u>IFSE-3T</u>	<u>IFSE-5T</u>
Daily Output (kg/24 hrs.)	1000	2000	3000	5000
Refrigeration requirement (kw)	7.4	13.7	18.0	32.5
Voltage - All models	415V/50Hz			
Power consumption (kw)	0.27	0.46	0.46	0.49
Water connection - All models	1/2" BSP			
Unit weight (kg)	160	240	260	370
Dimensions (mm) W x D x H	790x710x1020	950x850x1190	950x850x1405	1180x1050x1580



Production capacities based on 25°C condenser water and 16°C sea water temperature  
 Evaporator temperature -28°C  
 Ice thickness 1.5 - 2.2mm

Continuing product improvement may necessitate changes of specifications without notice

**For more information or the name of your local sales agent contact:**

**Stuart Icemakers**

1 Jayelem Crescent Padstow NSW 2211

**Sales** 1300 301 380 ~ **General Enquiries** 02 9773 3711

**Fax** 02 9773 4400 ~ **Email** sales@icemachines.com.au

**Website** www.icemachines.com.au