



## FRESH WATER 1T-5T FLAKE ICE MAKER EVAPORATORS

- Industrial strength flake ice makers designed for installation with rack systems or existing condensing units
- Sub zero flake ice ideal for use by restaurants, seafood processors, wholesalers and retailers, food service areas, vegetable growers and wholesalers
- Standard units have carbon steel drum also available with 304 & 316 grade stainless steel drum
- Push-button control panel or optional touch screen control supplied loose
- Can be supplied with or without storage bin

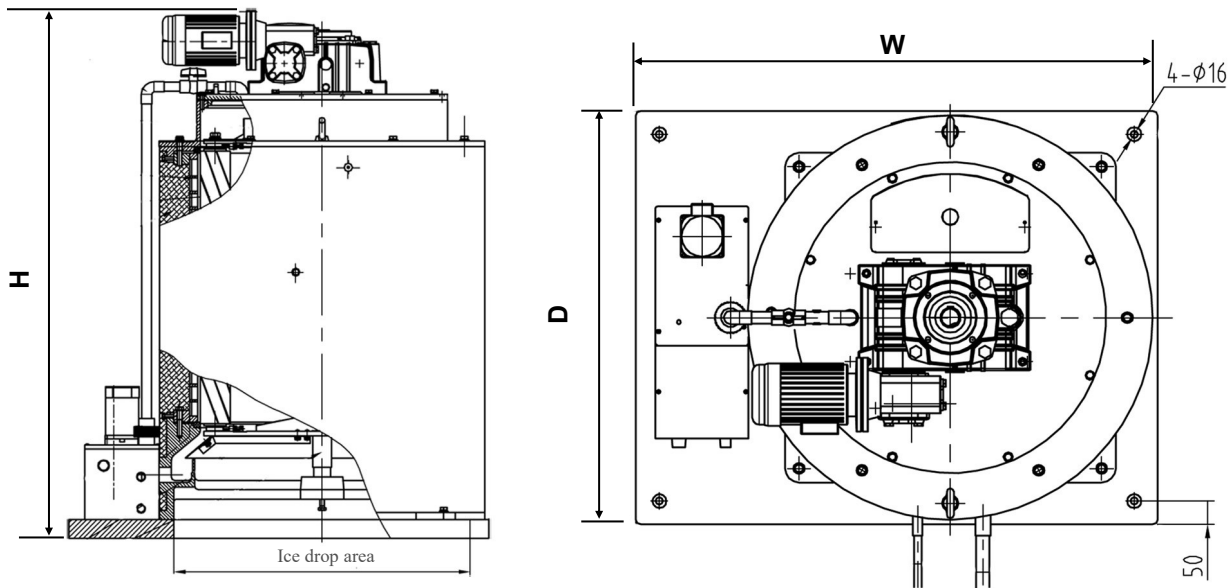




# FRESH WATER 1T-5T FLAKE ICE MAKER EVAPORATORS

## Specifications

<u>MODEL</u>	<u>IFE-1T</u>	<u>IFE-2T</u>	<u>IFE-3T</u>	<u>IFE-5T</u>
Daily Output (kg/24 hrs.)	1000	2000	3000	5000
Refrigeration requirement (kw)	5.7	11.0	23.7	33.5
Voltage - All models	415V/50Hz			
Power consumption (kw)	0.20	0.49	0.49	0.49
Water connection - All models	1/2" BSP			
Unit weight (kg)	160	240	260	370
Dimensions (mm) W x D x H	790x710x860	950x850x1030	950x850x1250	1180x1050x1420



Production capacities based on 25°C ambient and 20°C water temperature  
 Evaporator temperature -20°C      Condensing temperature 40°C  
 Ice thickness 1.5 - 2.2mm  
 Ambient temperature 5-40°C      Water temperature 0-40°C

Continuing product improvement may necessitate changes of specifications without notice

**For more information or the name of your local sales agent contact:**

**Stuart Icemakers**

1 Jayelem Crescent Padstow NSW 2211

**Sales** 1300 301 380 ~ **General Enquiries** 02 9773 3711

**Fax** 02 9773 4400 ~ **Email** sales@icemachines.com.au

**Website** www.icemachines.com.au